

FEATURES

- 3/8" Screw Diameter
- 0.025" to 1.0" Leads
- Available in Left and Right Hand Threads
- Dynamic Loads up to 125 lbs
- Static Loads up to 625 lbs
- Standard with a Plastic Nut
- Bronze and Custom Nut Types Available Upon Request
- Custom Screw Machining Available Upon Request



DESCRIPTION

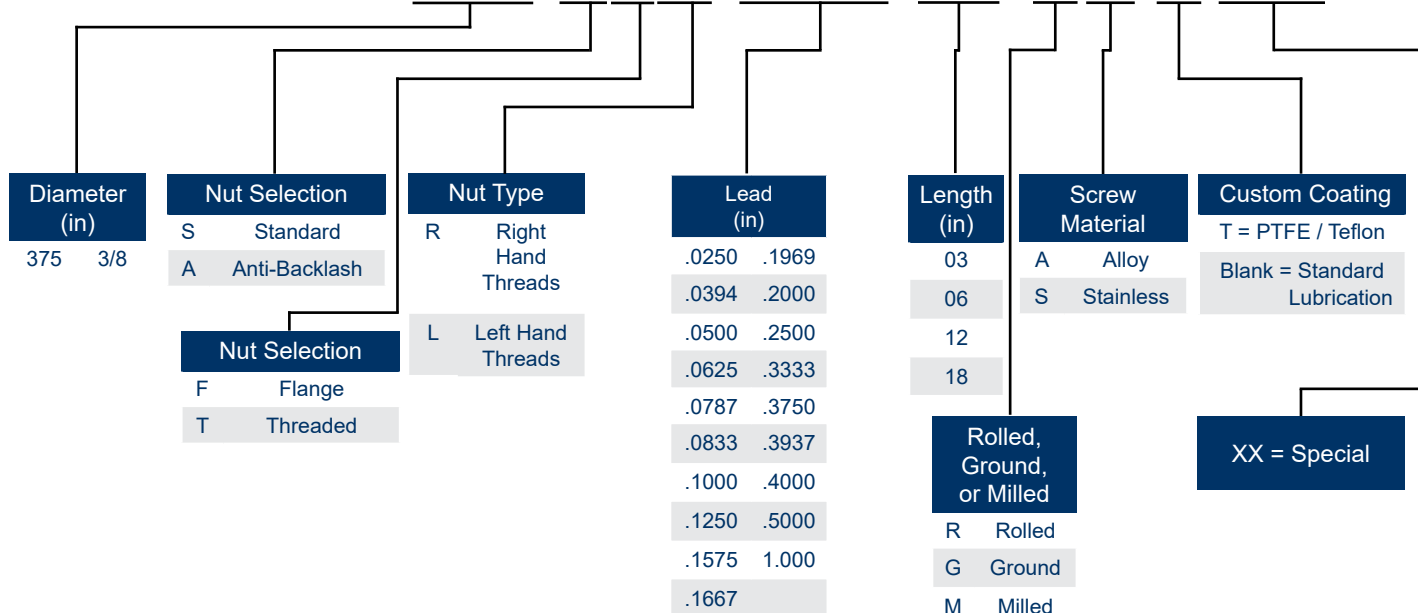
Lead screws are cost-effective and self-locking* (do not require a braking system), and provide the accuracy and repeatability required by most mechanical design applications. The SF, ST, AF, and AT Series Lead Screws have a diameter of 1/8" to 1.00" with a .024" to 3.0" lead.

The ends of the screw can be customized per your drawing. Please contact Anaheim Automation to discuss your specific requirements.

*Self locking will require an efficiency lower than 35%

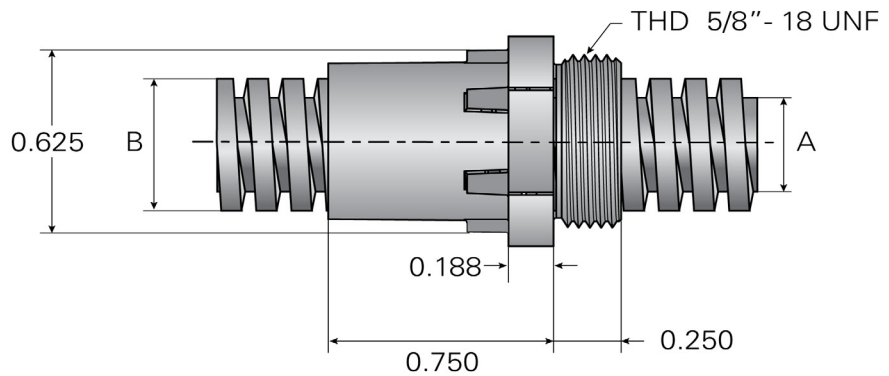
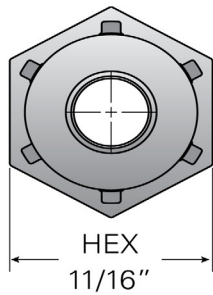
PART NUMBER LAYOUT

LSC-AAH-375-SFR-5000-06-RA-T-XX



L011722

STANDARD THREADED NUT



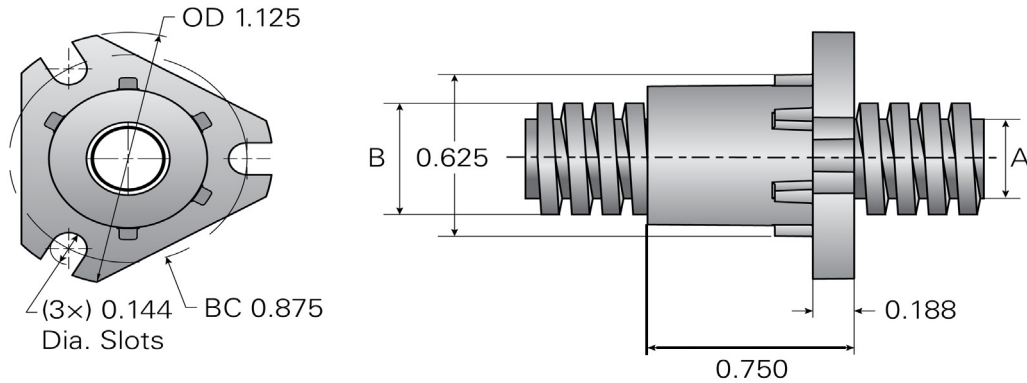
Units are in inches

Screw Diameter	Lead (in)	% Efficiency	Torque* (in-lb)	"A" Root Diameter (in)	"B" Outside Diameter (in)	Weight Per Foot (oz)	Coefficient of Friction (f)	Load Capacity (lb)	
								Dynamic	Static
3/8	.0250	10-18	0.028	0.345	0.375	5.3	0.15	125	625
	.0394	15-26	0.031	0.331		5.4			
	.0500	18-31	0.033	0.320		5.1			
	.0625	22-37	0.034	0.303		4.9			
	.0787	27-43	0.036	0.286		4.7			
	.0833	28-44	0.037	0.282		4.6			
	.1000	33-50	0.039	0.255		4.3			
	.1250	36-53	0.045	0.303		4.9			
	.1575	42-59	0.050	0.286		4.7			
	.1969	45-63	0.051	0.330		4.6			
	.2000	48-66	0.056	0.255		4.3			
	.2500	51-68	0.067	0.303		5.0			
	.3333	58-74	0.080	0.282		4.6			
	.3750	59-75	0.089	0.303		4.9			
	.3937	59-75	0.094	0.331		5.4			
	.4000	61-77	0.092	0.255		4.3			
.5000	63-79	0.112	0.278	4.6					
1.000	64-80	0.221	0.238	4.0					

* Torque required to raise 1lb.

*PLEASE NOTE - Each standard lead screw includes one nut. Additional nuts will be considered a custom request, and will require creation of a special part number.

STANDARD FLANGED NUT



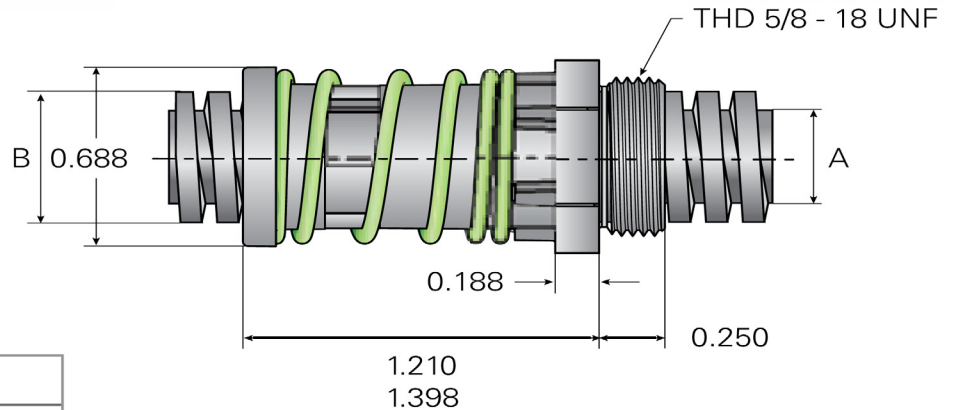
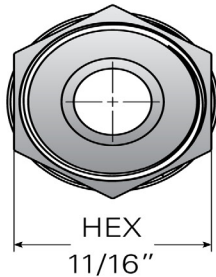
Units are in inches

Screw Diameter (in)	Lead (in)	% Efficiency	Torque* (in-lb)	"A" Root Diameter (in)	"B" Outside Diameter (in)	Weight Per Foot (oz)	Coefficient of Friction (f)	Load Capacity (lb)	
								Dynamic	Static
3/8	.0250	10-18	0.028	0.345	0.375	5.3	0.15	85	425
	.0394	15-26	0.031	0.331		5.4			
	.0500	18-31	0.033	0.320		5.1			
	.0625	22-37	0.034	0.303		4.9			
	.0787	27-43	0.036	0.286		4.7			
	.0833	28-44	0.037	0.282		4.6			
	.1000	33-50	0.039	0.255		4.3			
	.1250	36-53	0.045	0.303		4.9			
	.1575	42-59	0.050	0.286		4.7			
	.1969	45-63	0.051	0.330		4.6			
	.2000	48-66	0.056	0.255		4.3			
	.2500	51-68	0.067	0.303		5.0			
	.3333	58-74	0.080	0.282		4.6			
	.3750	59-75	0.089	0.303		4.9			
	.3937	59-75	0.094	0.331		5.4			
	.4000	61-77	0.092	0.255		4.3			
	.5000	63-79	0.112	0.278		4.6			
1.0000	64-80	0.221	0.238	4.0					

* Torque required to raise 1lb.

*PLEASE NOTE - Each standard lead screw includes one nut. Additional nuts will be considered a custom request, and will require creation of a special part number.

ANTI-BACKLASH THREADED NUT



Preload Force (lb)	
Low Force Spring	1.0 - 2.5
High Force Spring	1.75 - 5.25

Units are in inches

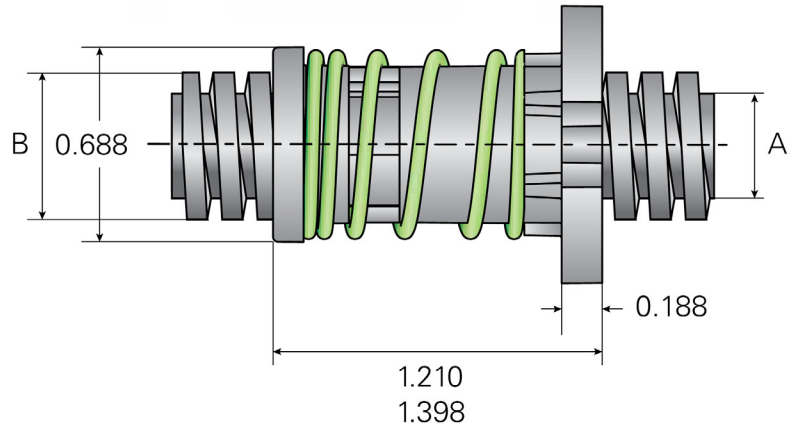
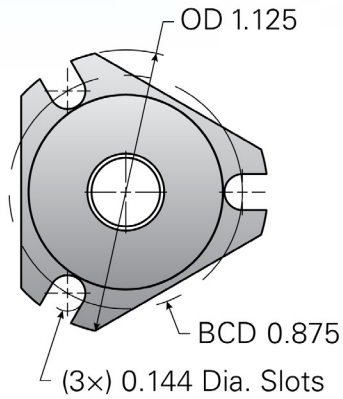
DIMENSIONS AND SPECIFICATIONS

Screw Diameter (in)	Lead (in)	% Efficiency	Torque* (in-lb)	"A" Root Diameter (in)	"B" Outside Diameter (in)	Weight Per Foot (oz)	Drag Torque (oz-in)	Load Capacity (lb)	
								Dynamic	Static
3/8	.0250	10-18	0.028	0.345		5.3			
	.0394	15-26	0.031	0.331		5.4			
	.0500	18-31	0.033	0.320		5.0			
	.0625	22-37	0.034	0.303		5.0			
	.0787	27-43	0.036	0.286		4.7			
	.0833	28-44	0.037	0.282		4.6			
	.1000	33-50	0.039	0.255		4.3			
	.1250	36-53	0.045	0.303		5.0			
	.1575	42-59	0.050	0.286		4.7			
	.1667	43-61	0.051	0.286	0.375	4.6	1 to 5	125	625
	.1969	45-63	0.058	0.330		5.3			
	.2000	48-66	0.056	0.255		4.3			
	.2500	51-68	0.067	0.303		5.0			
	.3333	58-74	0.080	0.282		4.6			
	.3750	59-75	0.089	0.303		5.0			
	.3937	59-75	0.094	0.331		5.4			
.4000	61-77	0.092	0.255		4.3				
.5000	63-79	0.112	0.278		4.6				
1.0000	64-80	0.221	0.238		4.0				

* Torque required to raise 1lb.

*PLEASE NOTE - Each standard lead screw includes one nut. Additional nuts will be considered a custom request, and will require creation of a special part number.

ANTI-BACKLASH FLANGED NUT



Preload Force (lb)	
Low Force Spring	1.0 - 2.5
High Force Spring	1.75 - 5.25

Units are in inches

Screw Diameter (in)	Lead (in)	% Efficiency	Torque* (in-lb)	"A" Root Diameter (in)	"B" Outside Diameter (in)	Weight Per Foot (oz)	Drag Torque (oz-in)	Load Capacity (lb)	
								Dynamic	Static
3/8	.0250	10-18	0.028	0.345		5.3			
	.0394	15-26	0.031	0.331		5.4			
	.0500	18-31	0.033	0.320		5.0			
	.0625	22-37	0.034	0.303		5.0			
	.0787	27-43	0.036	0.286		4.7			
	.0833	28-44	0.037	0.282		4.6			
	.1000	33-50	0.039	0.255		4.3			
	.1250	36-53	0.045	0.303		5.0			
	.1575	42-59	0.050	0.286		4.7			
	.1667	43-61	0.051	0.286	0.375	4.6	1 to 5	85	425
	.1969	45-63	0.058	0.330		5.3			
	.2000	48-66	0.056	0.255		4.3			
	.2500	51-68	0.067	0.303		5.0			
	.3333	58-74	0.080	0.282		4.6			
	.3750	59-75	0.089	0.303		5.0			
	.3937	59-75	0.094	0.331		5.4			
	.4000	61-77	0.092	0.255		4.3			
.5000	63-79	0.112	0.278		4.6				
1.0000	64-80	0.221	0.238		4.0				

* Torque required to raise 1lb.

*PLEASE NOTE - Each standard lead screw includes one nut. Additional nuts will be considered a custom request, and will require creation of a special part number.

TORQUE, ROTARY LINEAR

Drive on the shaft to move the nut, or drive on the nut to move the shaft.

$$\text{Torque (oz-in)} = \frac{(\text{Load oz}) (\text{Lead inch})}{(2 \pi) (\text{Efficiency})}$$

EFFICIENCY

$$\% \text{ efficiency} = \frac{\tan (\text{pitch angle})}{\tan [\text{pitch angle} + \arctan(f)]} \times 100$$

f = coefficient of friction